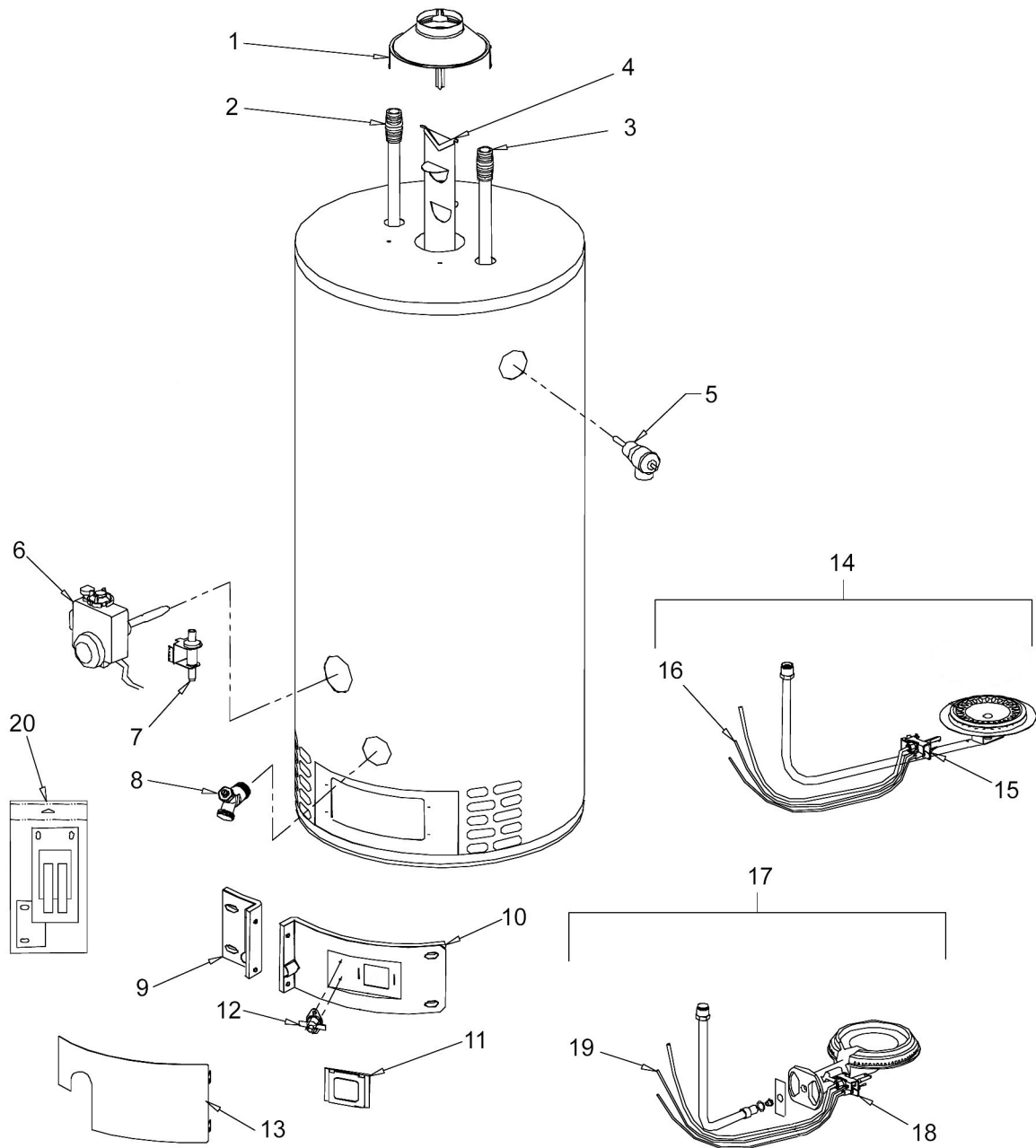




**PARTS & SERVICE DEPARTMENT**  
 Nashville, Tennessee  
 615-889-8900 / Fax: 615-547-1000  
 www.Lochinvar.com

**Replacement Parts List**

**Residential Gas  
 Flammable Vapor Ignition  
 Resistant Water Heaters  
 LT(S)N & LT(S)L 030, 040, & 050**



| ITEM | DESCRIPTION                       | MODEL NUMBERS / PART NUMBERS |             |             |               |             |
|------|-----------------------------------|------------------------------|-------------|-------------|---------------|-------------|
|      |                                   | LT(N,L)030G                  | LS(N,L)030G | LT(N,L)040G | LT(N,L)040G-4 | LT(N,L)041G |
| 1    | Draft Hood                        | DRH1000                      | DRH1000     | DRH1000     | DRH1000       | DRH1000     |
| 2    | Anode, Magnesium 3/4" dia.        | WTR1019                      | WTR1019     | WTR1019     | WTR1019       | WTR1019     |
| 2    | Anode, Aluminum 3/4" dia.         | WTR1040                      | WTR1040     | WTR1040     | WTR1040       | WTR1040     |
| 3    | Cold Water Inlet Tube 3/4" dia.   | WTR1018                      | WTR1018     | WTR1018     | WTR1018       | WTR1018     |
| 4    | Flue Baffle                       | JKT1013                      | JKT1005     | JKT1008     | JKT1011       | JKT1010     |
| 5    | T&P Relief Valve                  | RLV1001                      | RLV1001     | RLV1001     | RLV1001       | RLV1001     |
| 6    | Natural Gas Thermostat Kit        | TST1006                      | TST1006     | TST1006     | TST1006       | TST1006     |
| 6    | LP Gas Thermostat Kit             | TST1007                      | TST1007     | TST1007     | TST1007       | TST1007     |
| 7    | Piezo Igniter                     | PLT1063                      | PLT1063     | PLT1063     | PLT1063       | PLT1063     |
| 8    | Brass Drain Valve                 | DRV1007                      | DRV1007     | DRV1007     | DRV1007       | DRV1007     |
| 9    | Left Side Inner Door with Gasket  | JKT1017                      | JKT1006     | JKT1006     | JKT1006       | JKT1006     |
| 10   | Right Side Inner Door with Gasket | JKT1018                      | JKT1007     | JKT1021     | JKT1007       | JKT1007     |
| 11   | Sight Glass Assembly              | MSC1005                      | MSC1005     | MSC1005     | MSC1005       | MSC1005     |
| 12   | Resettable Thermal Switch         | RLY1003                      | RLY1002     | RLY1002     | RLY1003       | RLY1003     |
| 13   | Outer Door                        | JKT1029                      | JKT1029     | JKT1029     | JKT1029       | JKT1029     |
| 14   | NAT Burner Assembly               | BNR1038*                     | BNR1012*    | BNR1022*    | BNR1034*      | BNR1022*    |
| 15   | Pilot Assembly Natural Gas        | PLT1067*                     | PLT1067*    | PLT1067*    | PLT1067*      | PLT1067*    |
| 16   | Thermocouple                      | PLT1010*                     | PLT1010*    | PLT1010*    | PLT1010*      | PLT1010*    |
| 17   | LP Cast Iron Burner Assembly      | BNR1039*                     | BNR1021*    | BNR1023*    | BNR1035*      | BNR1023*    |
| 18   | Pilot Assembly LP Gas             | PLT1011*                     | PLT1061*    | PLT1061*    | PLT1061*      | PLT1061*    |
| 19   | Thermocouple                      | PLT1010*                     | PLT1010*    | PLT1010*    | PLT1010*      | PLT1010*    |
| 20   | Inner Door Gasket kit             | GKT1014                      | GKT1014     | GKT1014     | GKT1014       | GKT1014     |

| ITEM | DESCRIPTION                       | MODEL NUMBERS / PART NUMBERS |             |               |             |              |
|------|-----------------------------------|------------------------------|-------------|---------------|-------------|--------------|
|      |                                   | LS(N,L)041G                  | LT(N,L)050G | LT(N,L)050G-4 | LT(N,L)051G | XD(N,L)050G♦ |
| 1    | Draft Hood                        | DRH1020                      | DRH1000     | DRH1021       | DRH1000     | DRH1000      |
| 2    | Anode, Magnesium 3/4" dia.        | WTR1019                      | WTR1019     | WTR1019       | WTR1019     | WTR1019      |
| 2    | Anode, Aluminum 3/4" dia.         | WTR1040                      | WTR1040     | WTR1040       | WTR1040     | WTR1040      |
| 3    | Cold Water Inlet Tube 3/4" dia.   | WTR1018                      | WTR1018     | WTR1018       | WTR1018     | WTR1018      |
| 4    | Flue Baffle                       | JKT1010                      | JKT1009     | JKT1011       | JKT1055     | JKT1055      |
| 5    | T&P Relief Valve                  | RLV1001                      | RLV1001     | RLV1001       | RLV1001     | RLV1001      |
| 6    | Natural Gas Thermostat Kit        | TST1006                      | TST1006     | TST1006       | TST1000     | TST1013      |
| 6    | LP Gas Thermostat Kit             | TST1007                      | TST1007     | TST1007       | TST1011     | TST1018      |
| 7    | Piezo Igniter                     | PLT1063                      | PLT1063     | PLT1063       | PLT1063     | PLT1063      |
| 8    | Brass Drain Valve                 | DRV1007                      | DRV1007     | DRV1007       | DRV1007     | DRV1007      |
| 9    | Left Side Inner Door with Gasket  | JKT1006                      | JKT1019     | JKT1019       | JKT1019     | JKT1019      |
| 10   | Right Side Inner Door with Gasket | JKT1021                      | JKT1021     | JKT1021       | JKT1021     | JKT1021      |
| 11   | Sight Glass Assembly              | MSC1005                      | MSC1005     | MSC1005       | MSC1005     | MSC1005      |
| 12   | Resettable Thermal Switch         | RLY1003                      | PRS1024     | RLY1002       | PRS1024     | PRS1024      |
| 13   | Outer Door                        | JKT1029                      | JKT1029     | JKT1029       | JKT1029     | JKT1029      |
| 14   | NAT Burner Assembly               | BNR1025*                     | BNR1025*    | BNR1036*      | BNR1069*    | BNR1069*     |
| 15   | Pilot Assembly Natural Gas        | PLT1067*                     | PLT1067*    | PLT1067*      | PLT1067*    | PLT1067*     |
| 16   | Thermocouple                      | PLT1010*                     | PLT1010*    | PLT1010*      | PLT1010*    | PLT1010*     |
| 17   | LP Cast Iron Burner Assembly      | BNR1023*                     | BNR1033*    | BNR1037*      | BNR1083*    | BNR1083*     |
| 18   | Pilot Assembly LP Gas             | PLT1061*                     | PLT1061*    | PLT1061*      | PLT1061*    | PLT1061*     |
| 19   | Thermocouple                      | PLT1010*                     | PLT1010*    | PLT1010*      | PLT1010*    | PLT1010*     |
| 20   | Inner Door Gasket kit             | GKT1014                      | GKT1014     | GKT1014       | GKT1014     | GKT1014      |

\* Removing inner door to repair these parts will require replacing inner door gasket - GKT1014.  
♦Indicates models equipped for domestic hot water and space heating applications (Double Duty)

Please provide model & serial number when ordering parts.